

Actuator Bridge

Table 32-4. Actuator Bridge Parts

Item	Description	Part Number
	Actuator Bridge Assembly	0101-0558
1	Low Air Pressure Switch 1/4"	3107-0018
	Low Air Pressure Switch 1/8"	3107-0019
2	Solenoid Valve ¹	0101-0559
3	Gasket	0905-0579
4	Restrictor Fitting	0100-1401
5	Push-In Fitting (blue)	0100-1410
6	Elbow Fitting	0100-1408

¹ Excluding items 3, 4, 5.

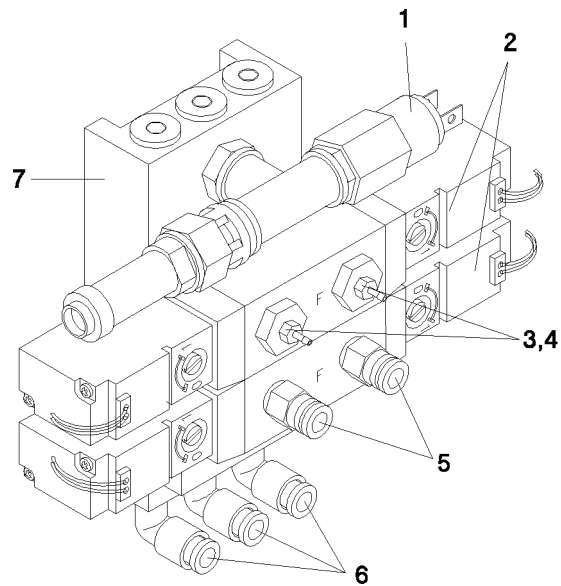


Figure 32-5. Actuator Bridge